

C1032 Sanitary Pressure Gauge

- All-welded Structure, No Dead Space
- Tri-clamp® Connection, Easy for Installation
- Bayonet Ring Case Design, Easy for Calibration



Pharmaceutical & Biotech



Food & Beverage

C1032 Sanitary Pressure Gauge

PERFORMANCE SPECIFICATIONS

Range:	Max:1%, Please refer to Range and Accuracy Table
Accuracy:	Please refer to Range and Accuracy Table
Dial Size:	63mm, 100mm
Case Material:	304SS
Window Material:	Polycarbonate, safety glass (optional)
Movement:	300SS
Pointer:	Black, aluminium
Dial:	Black figures on white background
Process Connection Location:	Lower, Lower Back
Process Connection:	Tri-Clamp [®] , DIN 32676, BS 4825, ISO 2852, Union DIN11851
Wetted Material:	316L, Hastelloy [®] C276(Optional)
Medium Temperature:	Max:138°C, For higher temperature, a cooling tower is required or please consult the factory.
Weather Protection:	IP65
Case Fill:	Food grade glycerin, food grade silicone oil
Diaphragm System Oil Fill:	White oil, distilled water
Surface Roughness:	Diaphragm Ra≤ 0.38μ; Laser welding seam Ra≤ 0.76μ; Machined surface Ra≤ 0.76μ

C1032 Sanitary Pressure Gauge

Range and Accuracy

Dial Size: 100mm

Diaphragm Dia.	1" (Mb24)	DN25 (Mb28)	1.5"/DN32 (Mb34)	2"/DN40 (Mb48)
Pressure Range (MPa)	Accuracy (% F.S)			
0.1	Unable to work	Unable to work	1.6%	1.6%
0.16	Unable to work	Unable to work	1.6%	1.6%
0.25	Unable to work	Unable to work	1.6%	1.0%
0.4	Unable to work	2.5%	1.6%	1.0%
0.6	2.5%	2.5%	1.6%	1.0%
1.0	2.5%	2.5%	1.0%	1.0%
1.6	1.6%	1.6%	1.0%	1.0%
2.5	1.6%	1.6%	1.0%	1.0%

Dial Size: 63mm

Diaphragm Dia.	1" (Mb24)	DN25 (Mb28)	1.5"/DN32 (Mb34)	2"/DN40 (Mb48)
Pressure Range (MPa)	Accuracy (% F.S)			
0.1	Unable to work	Unable to work	2.5%	2.5%
0.16	Unable to work	Unable to work	2.5%	1.6%
0.24	Unable to work	Unable to work	1.6%	1.6%
0.4	Unable to work	2.5%	1.6%	1.6%
0.6	2.5%	2.5%	1.6%	1.6%
1.0	2.5%	2.5%	1.6%	1.6%
1.6	1.6%	1.6%	1.6%	1.6%
2.5	1.6%	1.6%	1.6%	1.6%

Standard Pressure Ranges (MPa)

Positive Pressure	Compound
0...0.1	-0.1...+0.15
0...0.16	-0.1...+0.3
0...0.25	-0.1...+0.5
0...0.4	-0.1...+0.9
0...0.6	
0...1.0	
0...1.6	
0...2.5	Other units are available

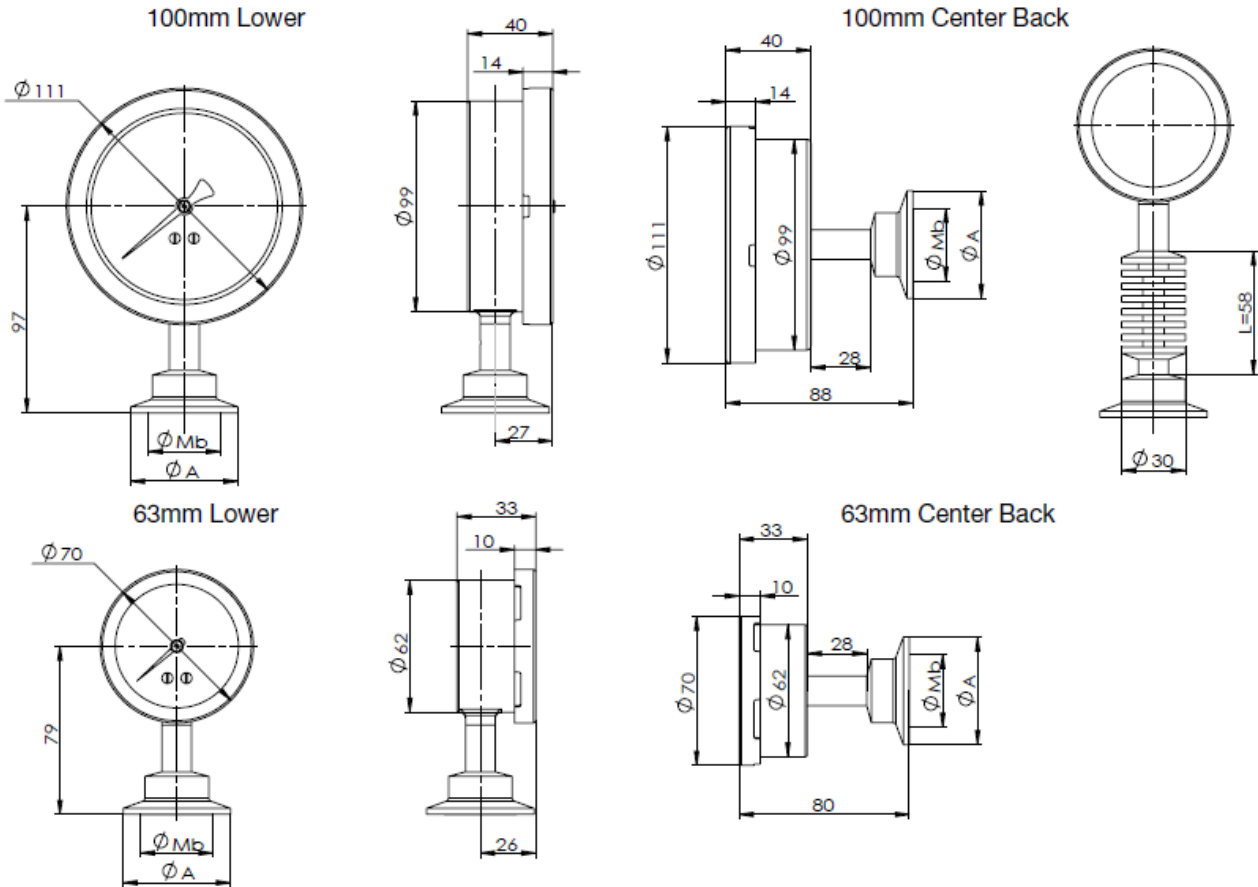
Data Sheet

C1032 Sanitary Pressure Gauge

ORDERING CODE	EXAMPLE:	63	C1032	TR	S	D	15	L	X6B	0-0.1MP
Dial size:										
63	63 mm	63								
10	100 mm									
Model:										
C1032	Tri-Clamp Sanitary Pressure Gauge		C1032							
Connection Type:										
TR	Tri-clamp® DIN 32676, BS 4825, ISO 2852			TR						
UD	DIN11851 Union									
TD	DIN11851 Threaded									
Diaphragm and Wetted Parts Material:										
S	Body Stainless steel 316L (1.4404) and diaphragm 316L (1.4435)				S					
H	Hastelloy® C-276 (2.4819)									
Case Filling:										
D	Dry gauge					D				
L	Gauge filled (Glycerine filled)									
Connection Size:										
10	1" (Only for Tri-Clamp®)									
15	1.5" (Only for Tri-Clamp®)						15			
20	2" (Only for Tri-Clamp®)									
DN25	DN25									
DN32	DN32									
DN40	DN40									
DN50	DN50									
Connection Location:										
L	Lower							L		
C	Center Back									
Options (If choosing an option(s) must include a "X")										
ZF	Food grade silicone system fill									
DI	Deionized Water (4~85°C)									
MY	White Mineral Oil (-10~205°C)									
6B	Cleaned for gaseous oxygen service								X6B	
6W	Product clean and degrease, not for strong oxidation application									
EC	Electro polished wetted parts, Ra <0,38 µm (15 µin).									
NH	Stainless steel tag, wired									
NH1	Stainless steel tag, extra large and wired									
C3	Certificate according to EN 10204/3.1									
C4	CD-4 calibration certificate									
MQ	Positive Material Identification (PMI)									
SG	Safety Glass									
HT	Cooling tower									
H****	Capillary with SS armor									
AN	Accuracy 1%									
Range:										
N0.1/0.15MP	-0.1/+0.15 MPa									Not for 1" & DN25 Tri-clamp®
N0.1/0.3MP	-0.1/+0.3 MPa									Not for 1" & DN25 Tri-clamp®
N0.1/0.5MP	-0.1/+0.5 MPa									
N0.1/0.9MP	-0.1/+0.9 MPa									
0-0.1MP	0.1 MPa									Not for 1" & DN25 Tri-clamp®
0-0.16MP	0.16 MPa									Not for 1" & DN25 Tri-clamp®
0-0.25MP	0.25 MPa									Not for 1" & DN25 Tri-clamp®
0-0.4MP	0.4 MPa									Not for 1" Tri-clamp®
0-0.6MP	0.6 MPa									
0-1.0MP	1 MPa									
0-1.6MP	1.6 MPa									
0-2.5MP	2.5 MPa									

C1032 Sanitary Pressure Gauge

mm

Tri-Clamp[®] — Dimensions are millimeters


Process Connection: As per DIN32676

Pipeline standard: DIN11866 row C, ASME BPE or BS4825 part 3 and O.D. tube

Size	A	Mb	Outside diameter x wall thickness	PN
1"	50.5	22	25.4 x 1.65	40
1.5"	50.5	32	38.1 x 1.65	40
2"	64	44	50.8 x 1.65	40

Process Connection: As per DIN32676

Pipeline standard: DIN11866 row A

Size	A	Mb	Outside diameter x wall thickness	PN
DN 25	50.5	25	29.5 x 1.5	40
DN 32	50.5	29	35 x 1.5	40
DN 40	50.5	32	41 x 1.5	40
DN 50	64	40	53 x 1.5	40

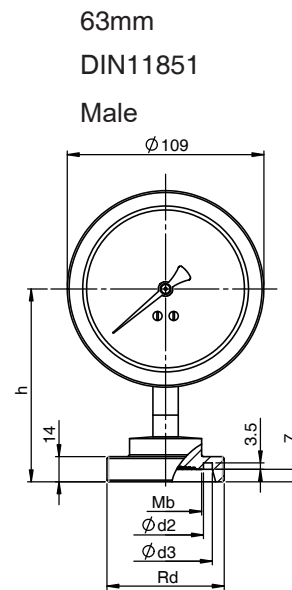
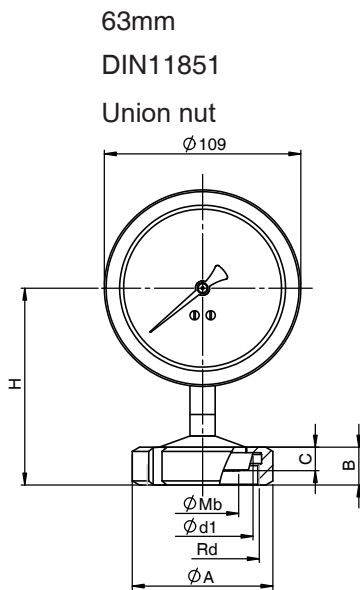
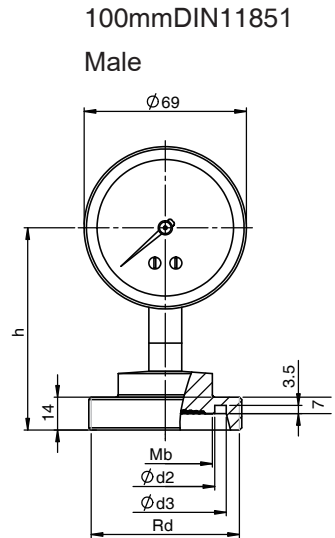
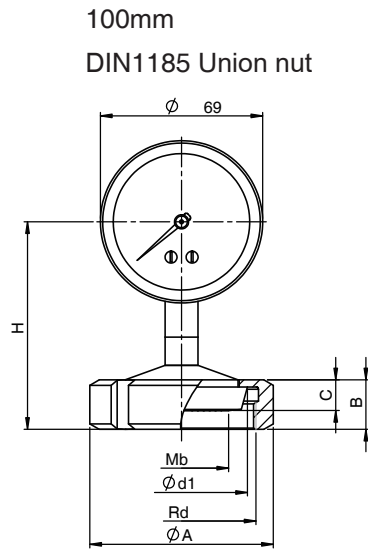
C1032 Sanitary Pressure Gauge

Process Connection: DIN11851 Thread connection

Pipeline standard: DIN11802 row 2

mm

Tri-Clamp® Union Connection



Size	A	Rd	Mb	d1	d2	d3	B	C	H		h		适用管道 外径x壁厚	PN
									100mm	63mm	100mm	63mm		
DN25	63	RD52x1/6	25	44	30	39.8	21	13	107	86	107	86	29x1.5	40
DN32	70	RD58x1/6	32	50	36	45.8	21	13	108	87	108	87	35x1.5	40
DN40	78	RD65x1/6	34	56	42	51.8	21	13	109.5	88.5	109.5	88.5	41x1.5	40
DN50	92	RD78x1/6	44	68.5	54	63.8	22	14	114	93	114	93	53x1.5	25